



TAURUS
INTERNATIONAL
CONSULTANCY & TRADE



Mustafa Kemal Mah. Dumlupınar Bulv.
Tepe Prime No:266A/18 Çankaya -Ankara
TÜRKİYE



+90 312 911 88 63




info@taurusinternationaltrade.com



www.taurusinternationaltrade.com




Meriç SÜLÜ
Co-founder

 meric.sulu@taurusinternationaltrade.com



Bülent CANSU
Co-founder

 bulent.cansu@taurusinternationaltrade.com



TAURUS
INTERNATIONAL
CONSULTANCY & TRADE

- **Professional consultancy in bilateral trade relationship**
- **Manufacturer supply in the energy and machinery sectors**
- **Working languages:**
 - French
 - English

About us

As a reliable partner in trade with our team members specialized in their fields, we offer trade consultancy services for various sectors, especially energy and machinery.



Our Vision

We aim to provide solution-oriented professional services that are accurate, reliable and in line with ethical values.



Our Mission

Our principle is to exceed our customers' expectations with sectoral expertise by prioritizing sustainable growth and industrial development.





MOBILE IMPACT CRUSHERS



Model	Rotor Dimensions (mm)	Motor (kW-d/dRpm)	Crushing Capacity (t/h)	Weight (kg)
1	1100x1000	200/1500	100-150	25000
2	1100x1300	250/1500	200-300	34000
3	1100x1500	315/1500	350-450	50000



MOBILE JAW CRUSHERS



Model	Feed Opening (mm)	Motor (kW-d/dRpm)	Weight (kg)
1	900x650	200/1500	34000
2	1100x850	250/1500	72000



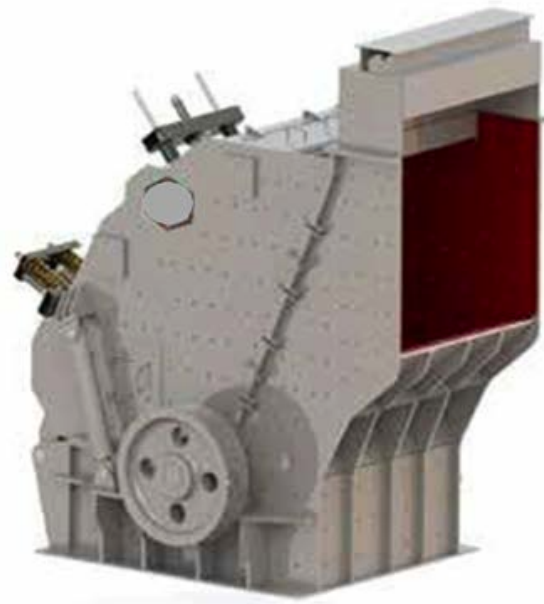
JAW CRUSHER



Model	Feed Opening mm	Motor kW-d/dRpm	Crushing Capacity (t/h)	Weight (kg)	Group
1	610x380	30-1500	30-90	6000	Primary
2	900x650	75-1500	50-200	11400	Primary
3	1100x850	132-1500	100-300	33000	Primary
4	1300x1000	160-1500	275-600	43000	Primary
5	900x200	30-1500	50-75	5960	Secondary
6	1100x350	75-1500	100-150	11000	Secondary



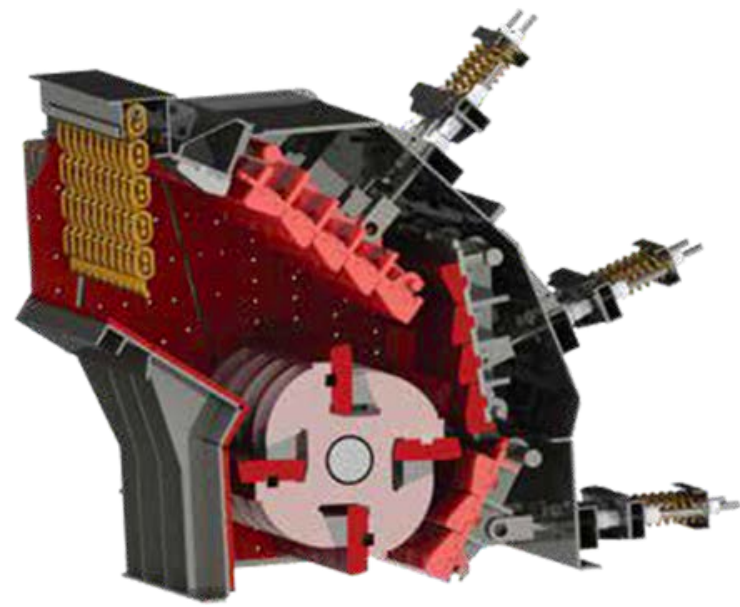
PRIMARY IMPACT CRUSHER



Model	Rotor Dimensions (mm)	Motor (kW-d/dRpm)	Max.Feed Size (mm)	Crushing Capacity (t/h)	Weight (kg)
1	ø1400x1800	315-355/1500	1200	600-800	33000
2	ø1400x1500	250-315/1500	1000	400-600	30000
3	ø1400x1300	200-250/1500	900	200-300	27000



SECONDARY IMPACT CRUSHER



Model	Rotor Dimensions (mm)	Motor (kW-d/dRpm)	Crushing Capacity (t/h)	Weight (kg)
1	ø1100x1000	132/160/1500	100-150	15000
2	ø1100x1300	250/1500	200-250	17000
3	ø1100x1500	250/315/1500	350/450	20000
4	ø1300x1800	355/1500	450/650	34000



SECONDARY IMPACT CRUSHER



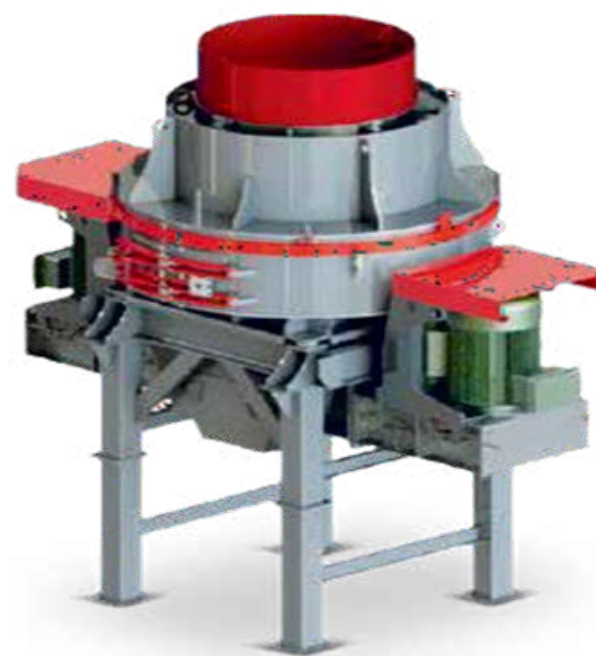
Model	Rotor Dimensions (mm)	Motor (kW-d/dRpm)	Max.Feed Size (mm)	Crushing Capacity (t/h)	Weight (kg)
1	ø750x1100	132/1500	250	75-100	18500
2	ø1000x1100	160/1500	250	100-150	20000
3	ø1250x1100	200/1500	250	200-250	26000
4	ø1500x1100	250-315/1500	250	250-300	28000



TERTIARY IMPACT CRUSHER

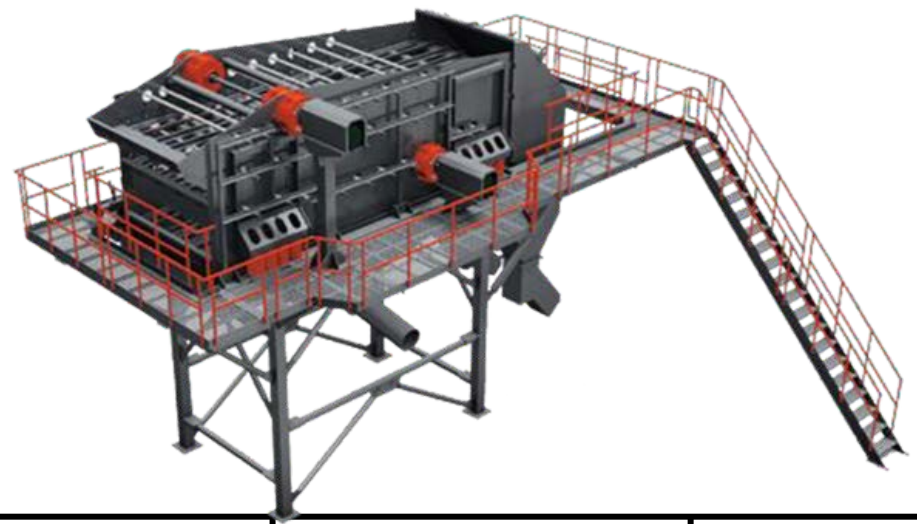


Model	Rotor Dimensions (mm)	Motor (kW-d/dRpm)	Max.Feed Size (mm)	Crushing Capacity (t/h)	Weight (kg)
1	ø1040x750	160/1500	70-100	150	14000
2	ø1040x1000	200/1500	70-100	200	16000
3	ø1040x1300	250/1500	70-100	250	18000
4	ø1040x1500	250-315/1500	70-100	300	20000



VERTICAL SHAFT IMPACT (VSI) CRUSHER

Model	Rotor Dimensions (mm)	Motor (kW- d/dRpm)	Max.Feed Size (mm)	Crushing Capacity (t/h)	Weight (kg)
1	Ø1000	2x200/1500 2x250/1500	125	200-300 300-400	20000
2	Ø900	2x160/1500 2x185/1500 2x200/1500	125	150-250 150-300	16000
3	Ø750	2x1321500	40	100-150	13000



MOBILE & STATIONARY HORIZONTAL SCREEN

Model	Main Dimensions (mm)	Motor (kW-d/dRpm)	Drive System	Weight (kg)
1	1600x5000	2x15/1000	cardan shaft	2 decks-12940 3 decks-14540 4 decks-16150
2	2000x5000	2x15/1000	cardan shaft	2 decks-15140 3 decks-16740 4 decks-18450
3	2000x6000	2x15/1000	cardan shaft	2 decks-15740 3 decks-17290 4 decks-20000
4	2200x6000	2x15-22/1000	cardan shaft	2 decks-18340 3 decks-20240 4 decks-22000



VIBRATING SCREEN



Model	Main Dimensions (mm)	Motor (kW-d/dRpm)	Drive System	Weight (kg)
1	1000x3000	7,5/1500	shaft	2 decks-5350 3 decks-5800 4 decks-6500
2	1200x3000	7,5/1500	shaft	2 decks-6200 3 decks-7300 4 decks-8000
3	1200x4000	11/1500	shaft	2 decks-6800 3 decks-7300 4 decks-8000
4	1400x4000	11/1000	cardan shaft	2 decks-7560 3 decks-8080 4 decks-9000



VIBRATING SCREEN



Model	Main Dimensions (mm)	Motor (kW-d/dRpm)	Drive System	Weight (kg)
5	1500x4000	11/1000	cardan shaft	2 decks-7860 3 decks-8360 4 decks-9560
6	1600x5000	15/1000	cardan shaft	2 decks-8300 3 decks-8700 4 decks-9900
7	2000x5000	2x15/1000	cardan shaft	2 decks-12500 3 decks-12850 4 decks-15500
8	2000x6000	2x15/1000	cardan shaft	2 decks-12400 3 decks-14800 4 decks-16500



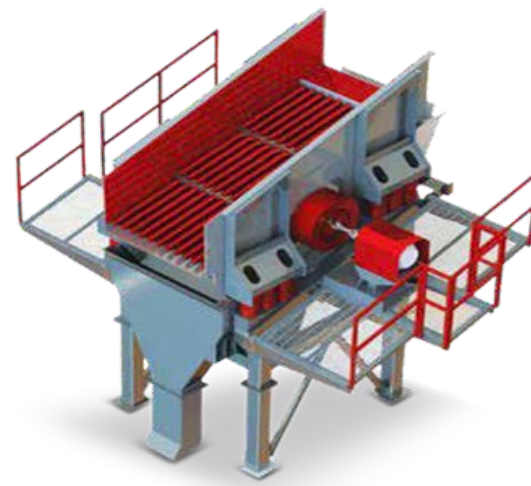
VIBRATING SCREEN



Model	Main Dimensions (mm)	Motor (kW-d/dRpm)	Drive System	Weight (kg)
9	2200x6000	2x15/1000	cardan shaft	2 decks-16500 3 decks-18500 4 decks-19500
10	2400x6000	2x22/1000	cardan shaft	2 decks-19500 3 decks-21500 4 decks-23500
11	2400x7000	2x22/1000	cardan shaft	2 decks-22000 3 decks-23500 4 decks-24500



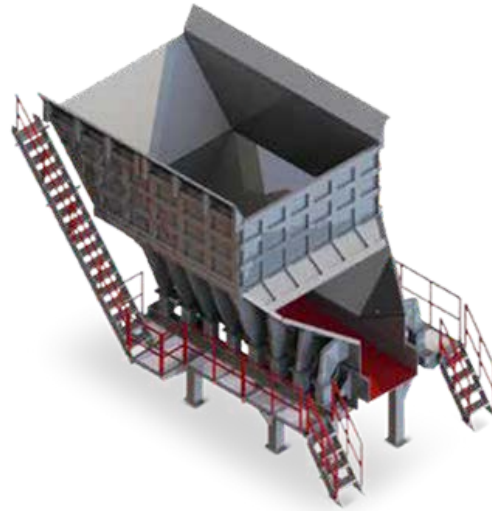
GRIZZLY SCREEN



Model	Main Dimensions (mm)	Motor (kW-d/dRpm)	Drive System	Weight (kg) 2 decks
1	1000x3000	15/1000	cardan shaft	5800
2	1200x3000	15/1000	cardan shaft	7300
3	1400x3000	22/1000	cardan shaft	7300
4	1600x3000	30/1000	cardan shaft	8080



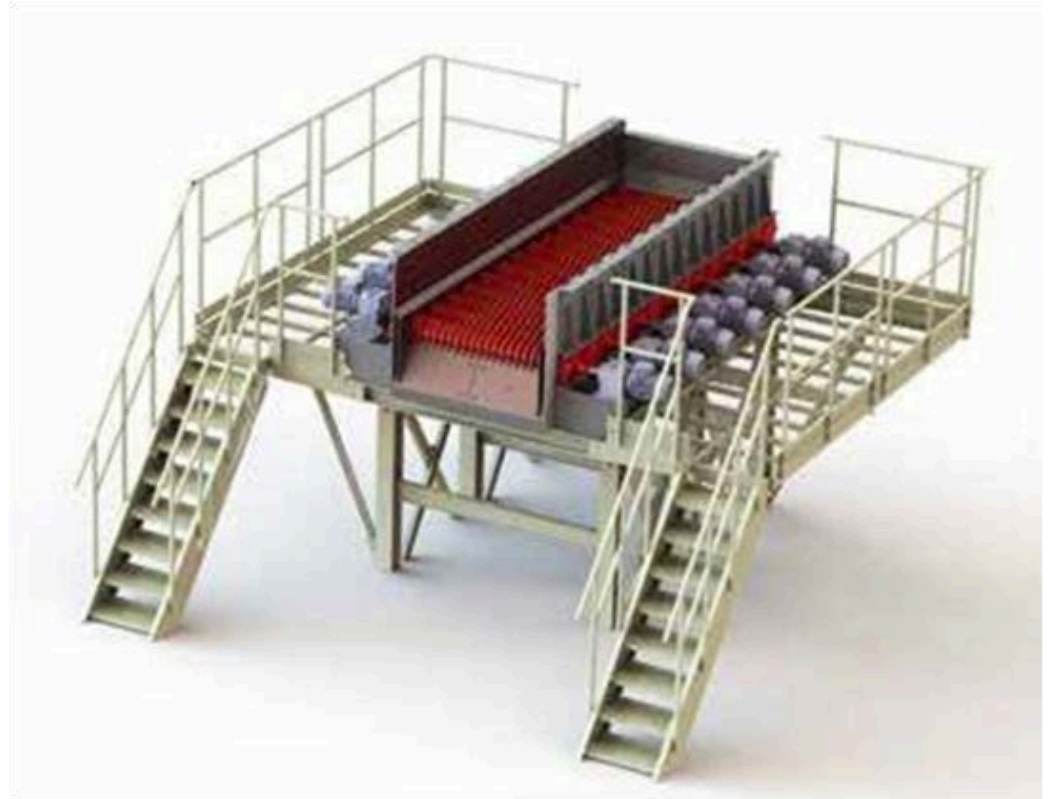
VIBRATING FEEDER



Model	Main Dimensions (mm)	Grizzly Size	Motor (kW-d/dRpm)	Hopper Volume (m3)	Weight (kg)
1	850X3600	1180	2x4.5/1000	25	11000
2	1100X5200	1380	2x8/1000	35	17000
3	1370X5500	2X1000	37/1500	45	25000
4	1500 X6000	3X1000	45/1500	60	35000



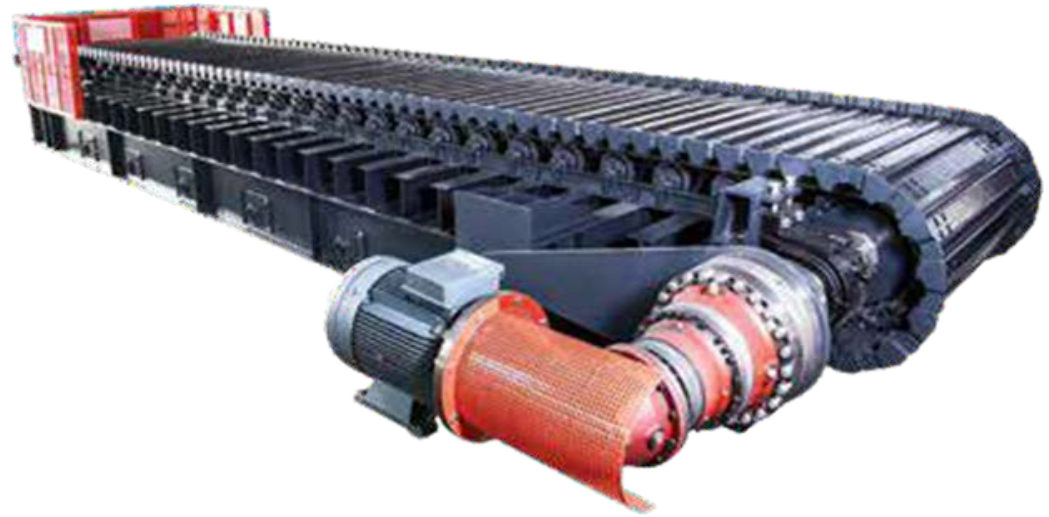
WOBBLER FEEDER



Model	Width (mm)	Length (mm)	Capacity (t/h)	Motor (Kw/RPM)
1	900-2000	3000-6000	150-1000	30-100



APRON FEEDER



Model	Width (mm)	Length (mm)	Capacity (t/h)	Motor (Kw/RPM)	Weight (kg)
1	600	2000	150-200	7,5/1500	4000
2	900	2500	200-250	11/1500	10000
3	1100	3500	300-350	11/1500	12000
4	1300	5000	400-450	22/1500	15000
5	1500	5000	500-750	22/1500	17000



HYDROCYCLONE & DEWATERING SCREEN



Model	Main Dimension (mm)	Motor (kW-d/dRpm)	Capacity (t/h)
1	1000x3000	2x5.5/1000	50-100
2	1600x3500	2x7.5/1000	100-150
3	1600x4000	2x7.5/1000	150-200



DEWATERING SAND SCREW



Model	Main Dimension (mm)	Capacity (t/h)	Motor (kW-d/dRpm)	Weight (kg)
1	1X600X6000	30	7,5/1500	2400
2	1X800X8000	35	15/1500	3700
3	2X600X6000	40	7.5x2/1500	5200
4	2X800X8000	55	15x2/1500	7700



LOG WASHER



Model	Main Dimension (mm)	Motor (kW-d/dRpm)	Weight (kg)
1	2000x5000	37/1500	9000
2	2000X6000	45/1500	12000



STOCK HOPPER



FEEDING HOPPER



BELT CONVEYOR



We hope to establish with your company a strong business relationship grounded on cooperation, trust and friendship...



info@taurusinternationaltrade.com



www.taurusinternationaltrade.com

